

Dark Fibre

Do users know what they are getting?

-

FIA Guidance

Prepared and delivered for



Bisham Abbey, 4th December 2001
Hilton Airport Hotel, Edinburgh, 11th December 2001

AGENDA

Introduction

Dark Fibre

Permanent Link Specification

Channel Specification

Data Records

Close

Mike Gilmore

The Cabling Partnership

www.it-cabling.com

e-Ready Building

www.e-readybuilding.com

PO Box MT65, LEEDS, LS17 8YD, United Kingdom

Tel: +44 (0) 113 232 3721 Fax: +44 (0) 113 232 3724

Mike Gilmore



ISO/IEC JTC1 SC25

Secretary: WG3: Generic Cabling

Member: Project Team: SOHO



BSI

Chairman TCT7/-/1: IT Cabling

Chairman TCT7/-/3: IT Cabling



CENELEC

50173 Ed.2 (2002)

Convenor: TC215 WG1: IT Cabling

Fibreoptic Industry Association

Standards Director

Technical Director

AGENDA

- Introduction
- Dark Fibre
- Permanent Link Specification
- Channel Specification
- Data Records
- Close

FIA Documentation Update

DESIGN		
FIA-TSD-2000-1-1	OPTICAL FIBRE CABLING: LAN APPLICATION SUPPORT GUIDE	published

INSTALLATION		
FIA-TSD-2000-4-2-1	TESTING OF INSTALLED CABLING: ATTENUATION USING LSPM EQUIPMENT	JANUARY 2002

SAFETY		
FIA-TSD-2000-5-1	OPTICAL POWER: SAFETY LEVELS	complete
FIA-TSD-2000-5-2	OPTICAL FIBRE: HANDLING OF PROCESSING CHEMICALS	complete
FIA-TSD-2000-5-3	OPTICAL FIBRE: DISPOSAL OF WASTE	complete

MODELLING TOOLS		
	CABLING STRUCTURES COST MODEL	complete



AGENDA

- Introduction
- Dark Fibre
- Permanent Link Specification
- Channel Specification
- Data Records
- Close

FIA Documentation Update

DESIGN		
FIA-TSD-2000-1-1	OPTICAL FIBRE CABLING: LAN APPLICATION SUPPORT GUIDE	published
FIA-TSD-2000-1-1	Revision to include mode conditioning cords and 10GBASE-xyz	JANUARY 2002
FIA-TSD-2000-1-3	OPTICAL FIBRE CABLING: DARK FIBRE SUPPORT GUIDE	Q1, 2002
INSTALLATION		
FIA-TSD-2000-4-2-1	TESTING OF INSTALLED CABLING: ATTENUATION USING LSPM EQUIPMENT	JANUARY 2002
FIA-TSD-2000-4-2-2	TESTING OF INSTALLED CABLING: ATTENUATION USING OTDR EQUIPMENT	Q2, 2002
SAFETY		
FIA-TSD-2000-5-1	OPTICAL POWER: SAFETY LEVELS	complete
FIA-TSD-2000-5-2	OPTICAL FIBRE: HANDLING OF PROCESSING CHEMICALS	complete
FIA-TSD-2000-5-3	OPTICAL FIBRE: DISPOSAL OF WASTE	complete
MODELLING TOOLS		
	CABLING STRUCTURES COST MODEL	complete



AGENDA

Introduction

Dark Fibre

Permanent Link Specification

Channel Specification

Data Records

Close

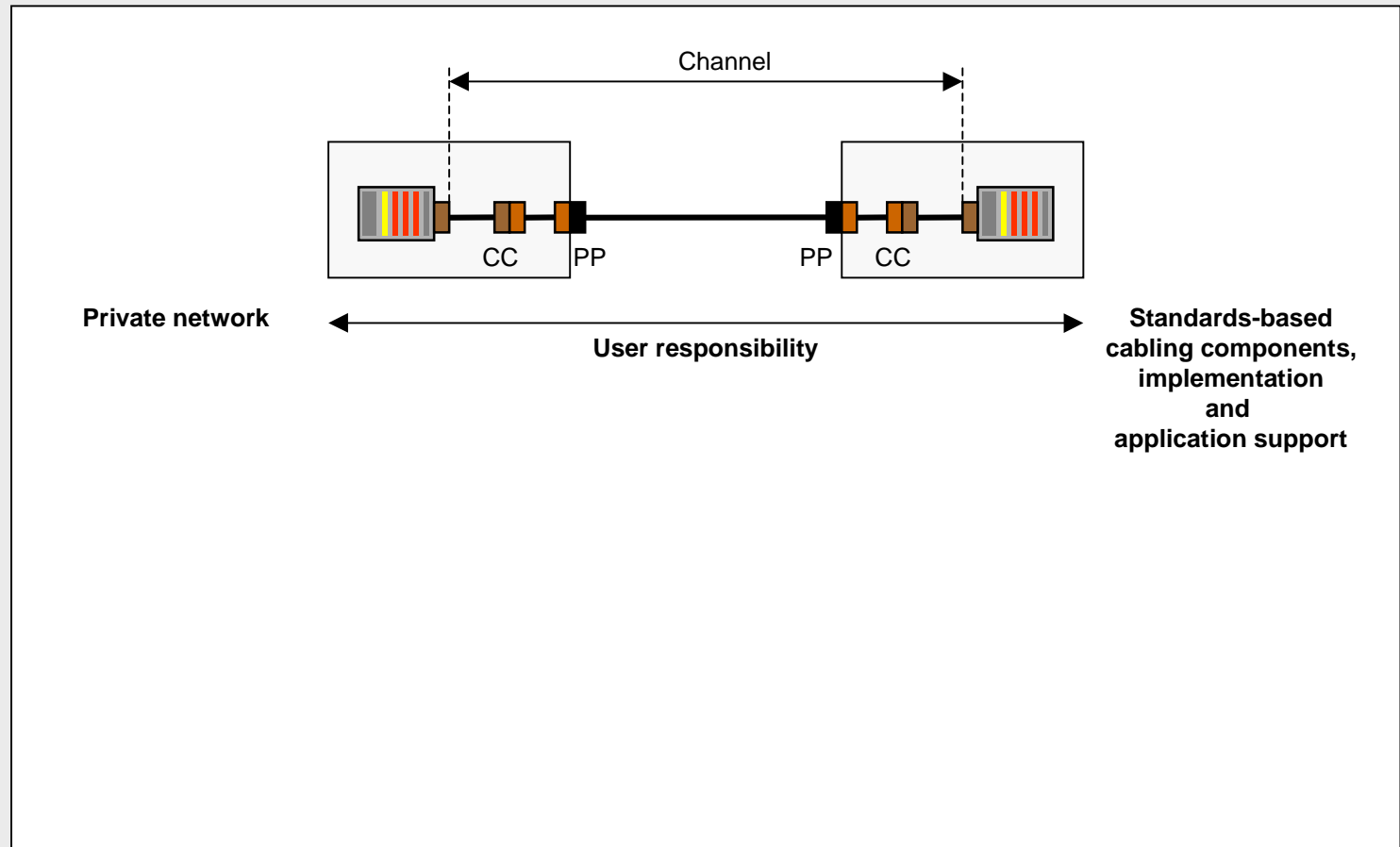
FIA Documentation Update

DESIGN		
FIA-TSD-2000-1-1	OPTICAL FIBRE CABLING: LAN APPLICATION SUPPORT GUIDE	published
FIA-TSD-2000-1-1	Revision to include mode conditioning cords and 10GBASE-xyz	JANUARY 2002
FIA-TSD-2000-1-3	OPTICAL FIBRE CABLING: DARK FIBRE SUPPORT GUIDE	Q1, 2002
INSTALLATION		
FIA-TSD-2000-4-2-1	TESTING OF INSTALLED CABLING: ATTENUATION USING LSPM EQUIPMENT	JANUARY 2002
FIA-TSD-2000-4-2-2	TESTING OF INSTALLED CABLING: ATTENUATION USING OTDR EQUIPMENT	Q2, 2002
SAFETY		
FIA-TSD-2000-5-1	OPTICAL POWER: SAFETY LEVELS	complete
FIA-TSD-2000-5-2	OPTICAL FIBRE: HANDLING OF PROCESSING CHEMICALS	complete
FIA-TSD-2000-5-3	OPTICAL FIBRE: DISPOSAL OF WASTE	complete
MODELLING TOOLS		
	CABLING STRUCTURES COST MODEL	complete

AGENDA

- Introduction
- Dark Fibre
- Permanent Link Specification
- Channel Specification
- Data Records
- Close

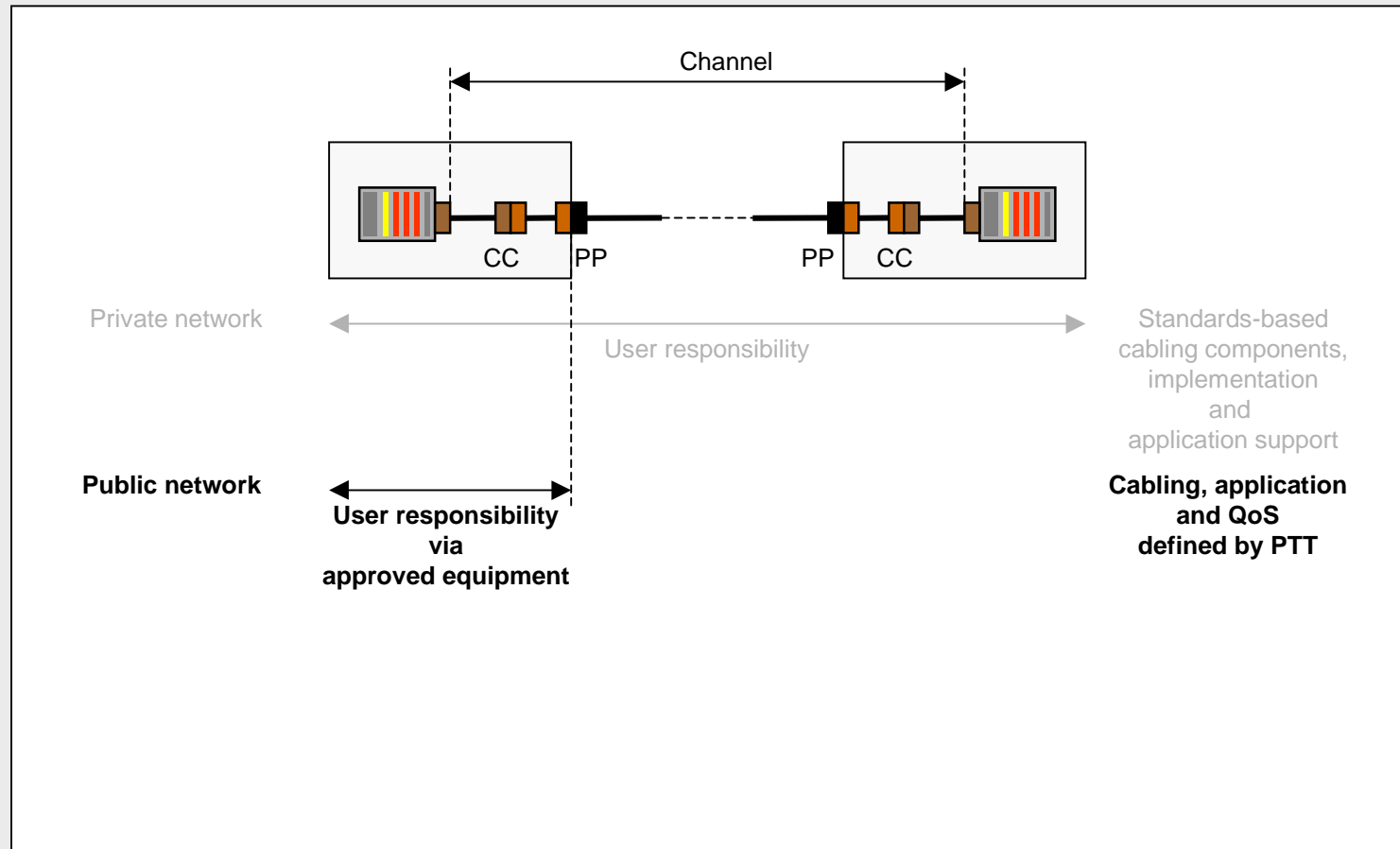
Dark Fibre- I



AGENDA

- Introduction
- Dark Fibre
- Permanent Link Specification
- Channel Specification
- Data Records
- Close

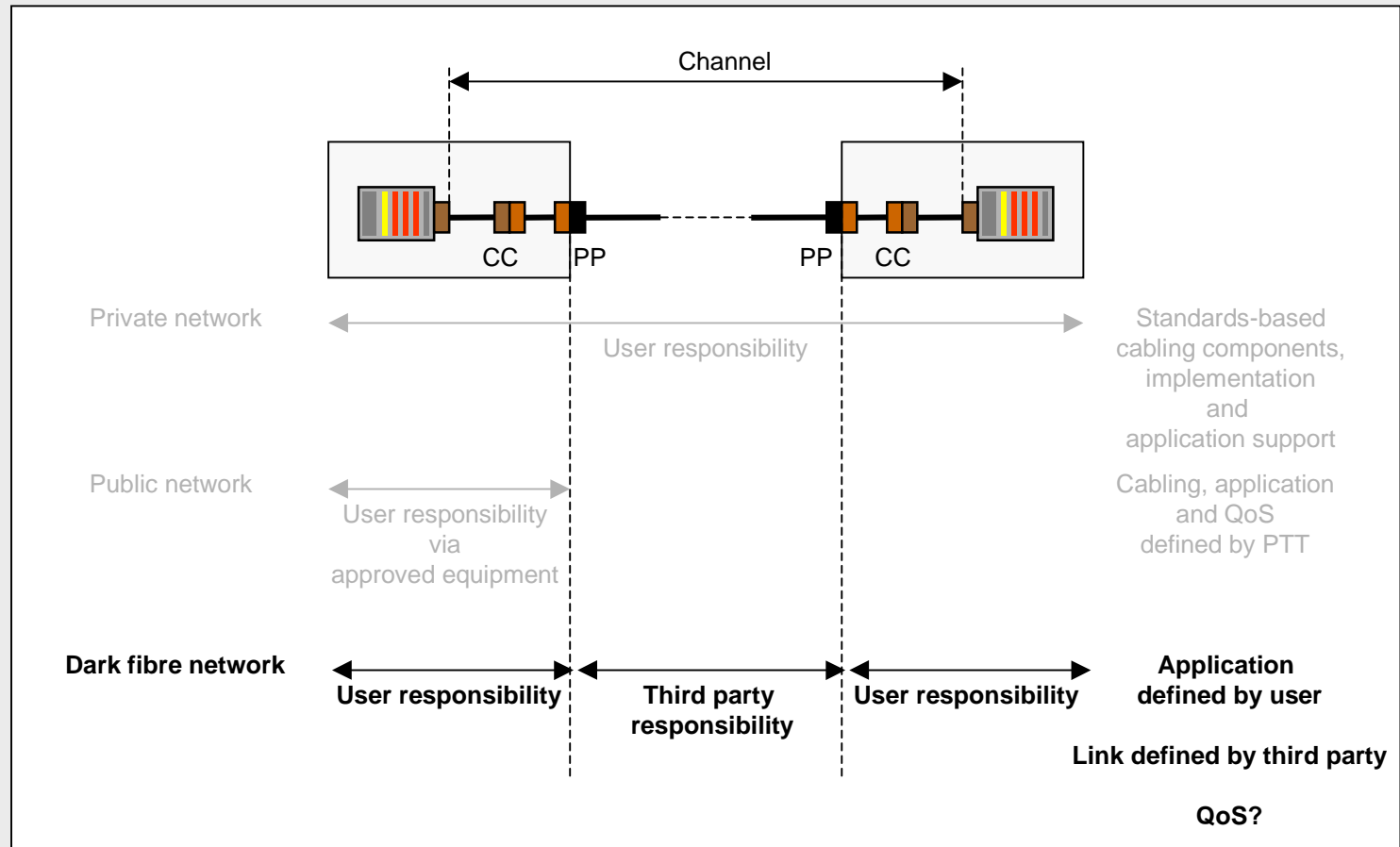
Dark Fibre- II



AGENDA

- Introduction
- Dark Fibre
- Permanent Link Specification
- Channel Specification
- Data Records
- Close

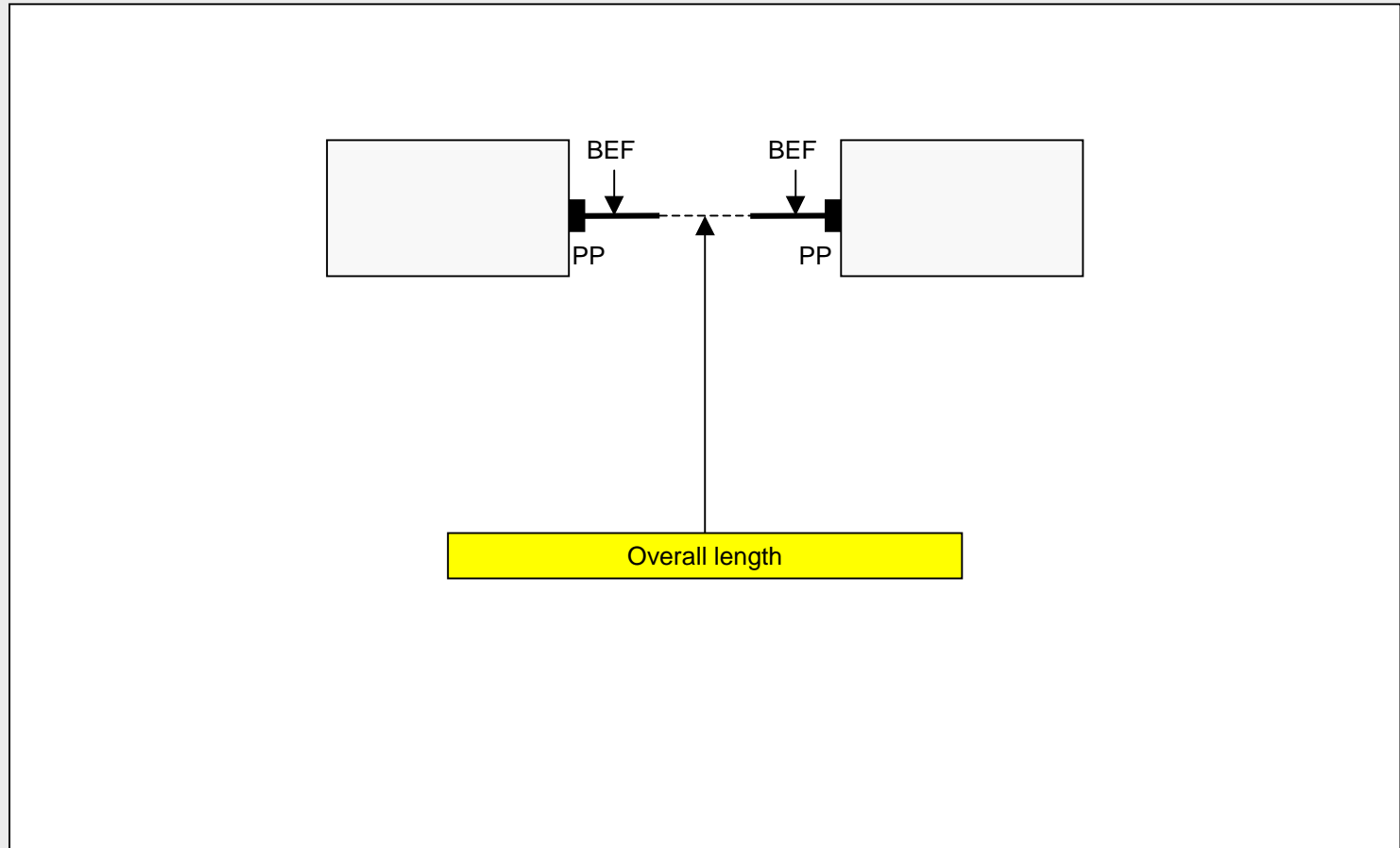
Dark Fibre- III



AGENDA

- Introduction
- Dark Fibre
- Permanent Link Specification**
- Channel Specification
- Data Records
- Close

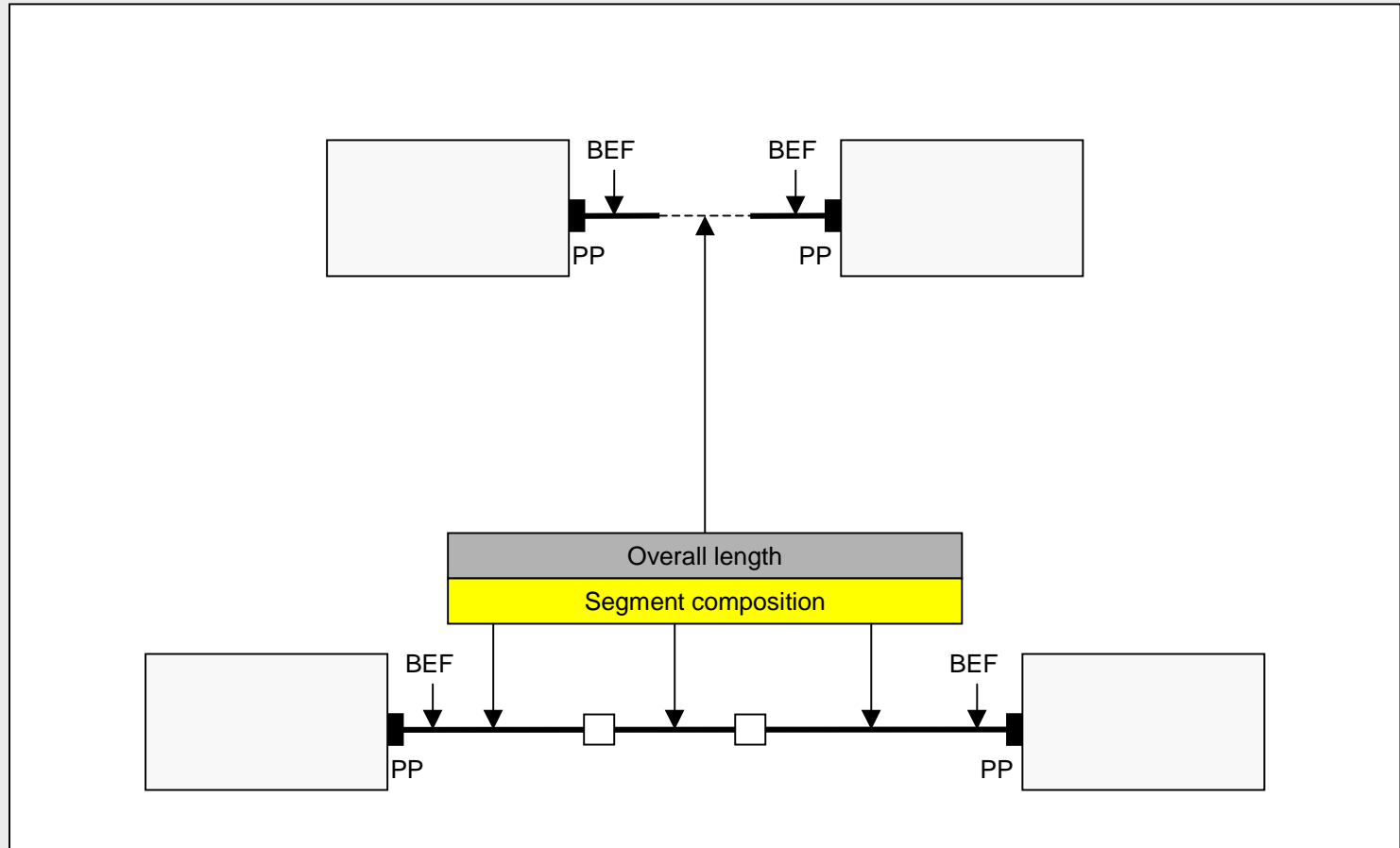
Permanent Link Specification



AGENDA

- Introduction
- Dark Fibre
- Permanent Link Specification**
- Channel Specification
- Data Records
- Close

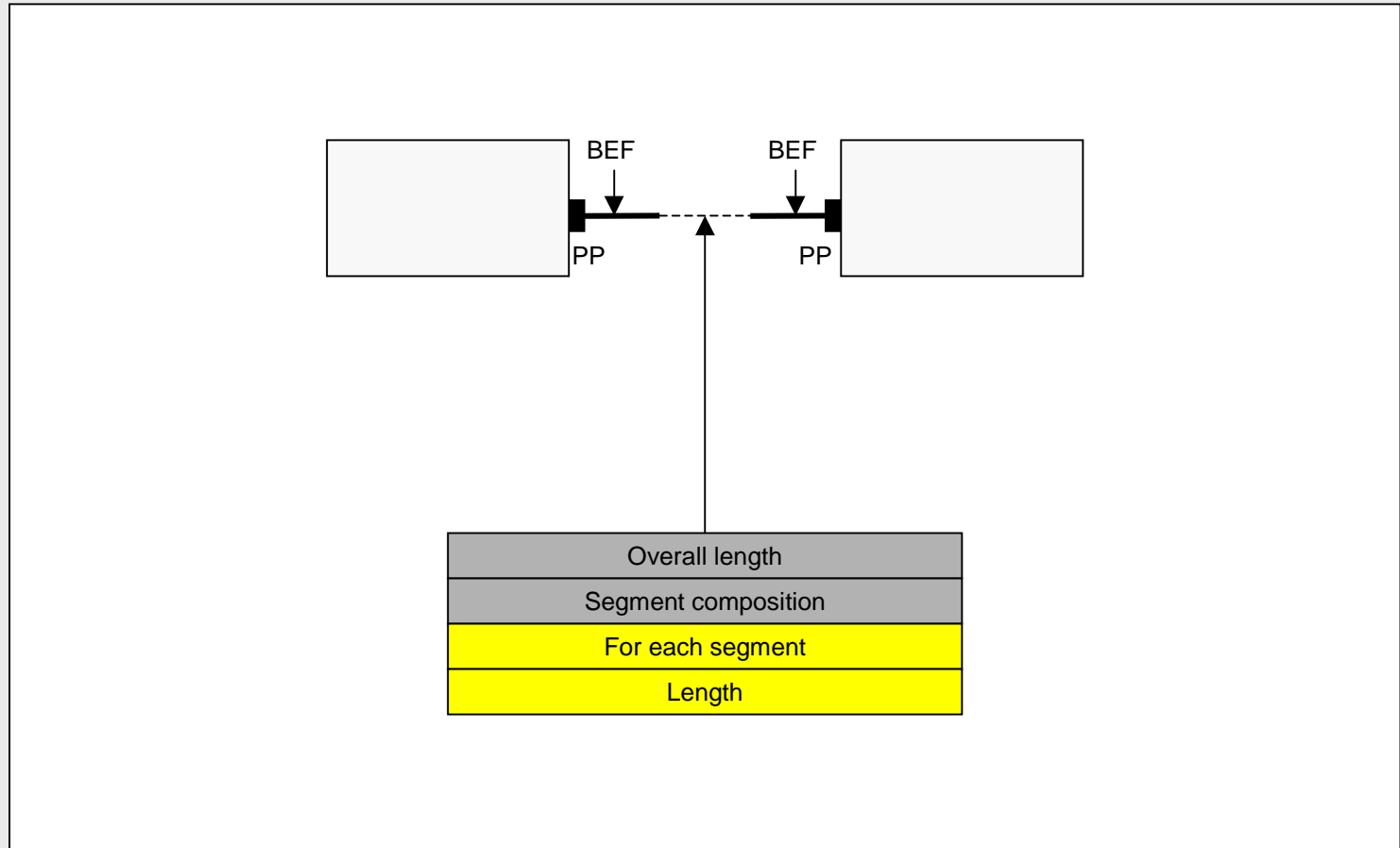
Permanent Link Specification



AGENDA

- Introduction
- Dark Fibre
- Permanent Link Specification**
- Channel Specification
- Data Records
- Close

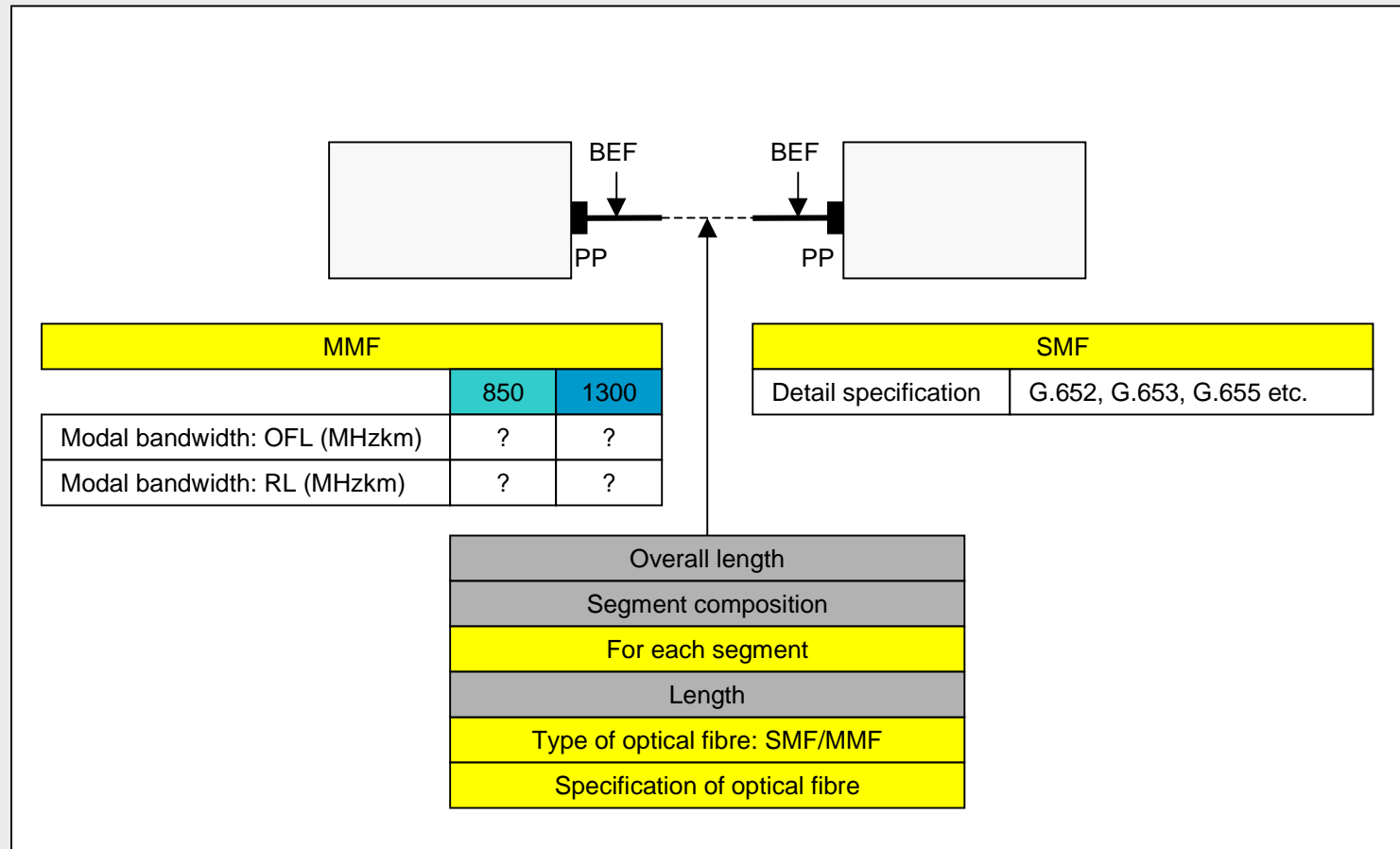
Permanent Link Specification



AGENDA

- Introduction
- Dark Fibre
- Permanent Link Specification**
- Channel Specification
- Data Records
- Close

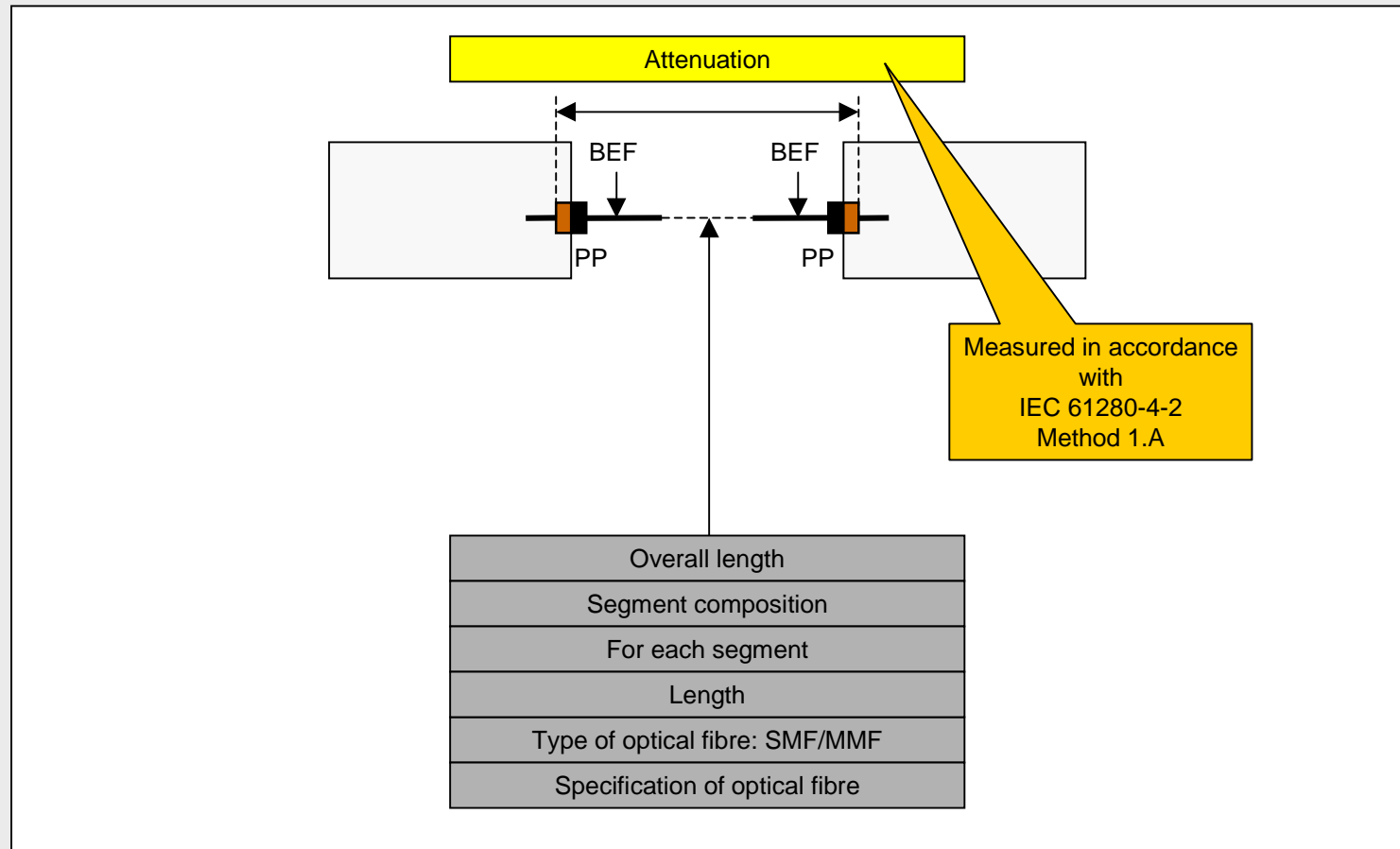
Permanent Link Specification



AGENDA

- Introduction
- Dark Fibre
- Permanent Link Specification
- Channel Specification
- Data Records
- Close

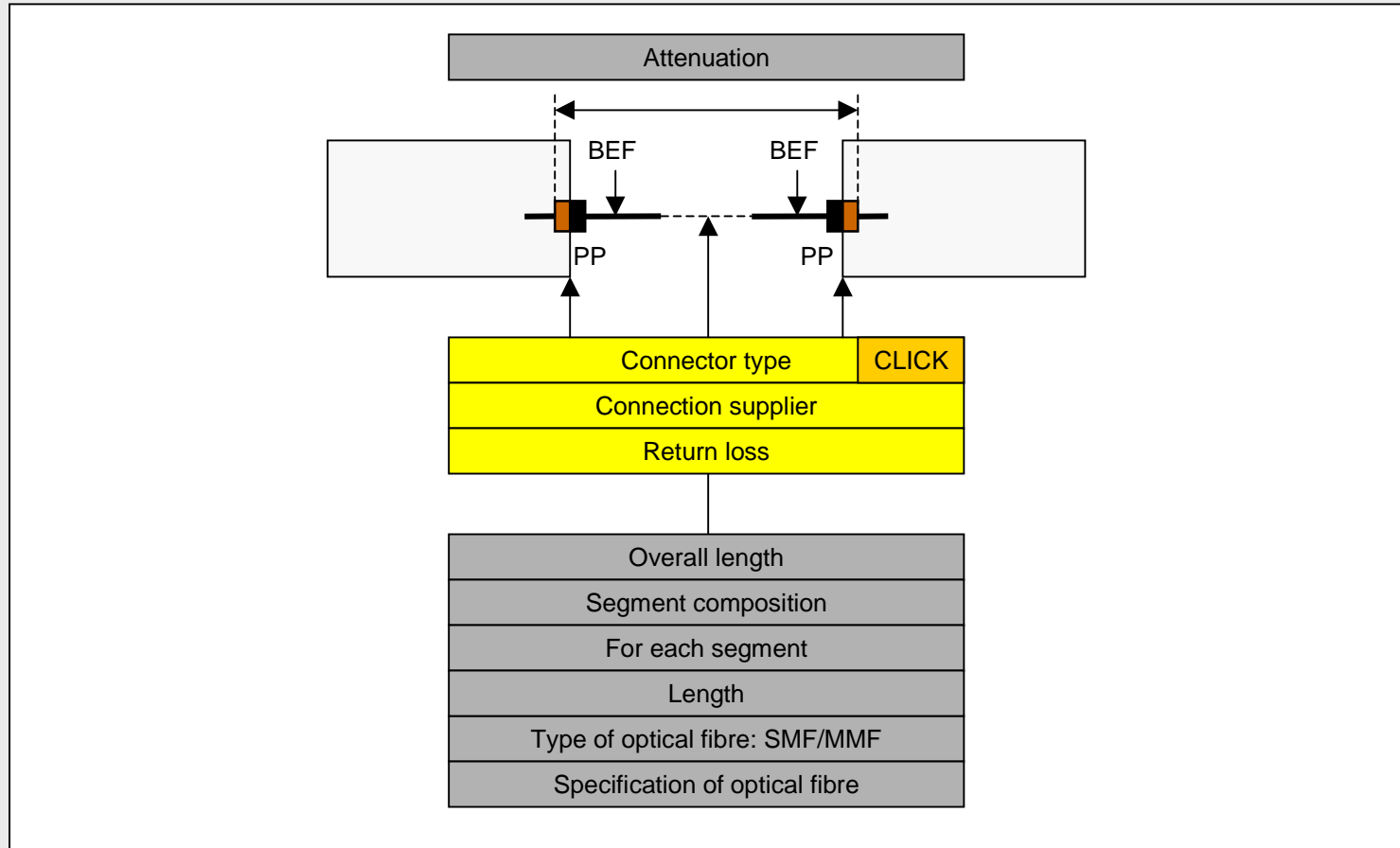
Permanent Link Specification



AGENDA

- Introduction
- Dark Fibre
- Permanent Link Specification
- Channel Specification
- Data Records
- Close

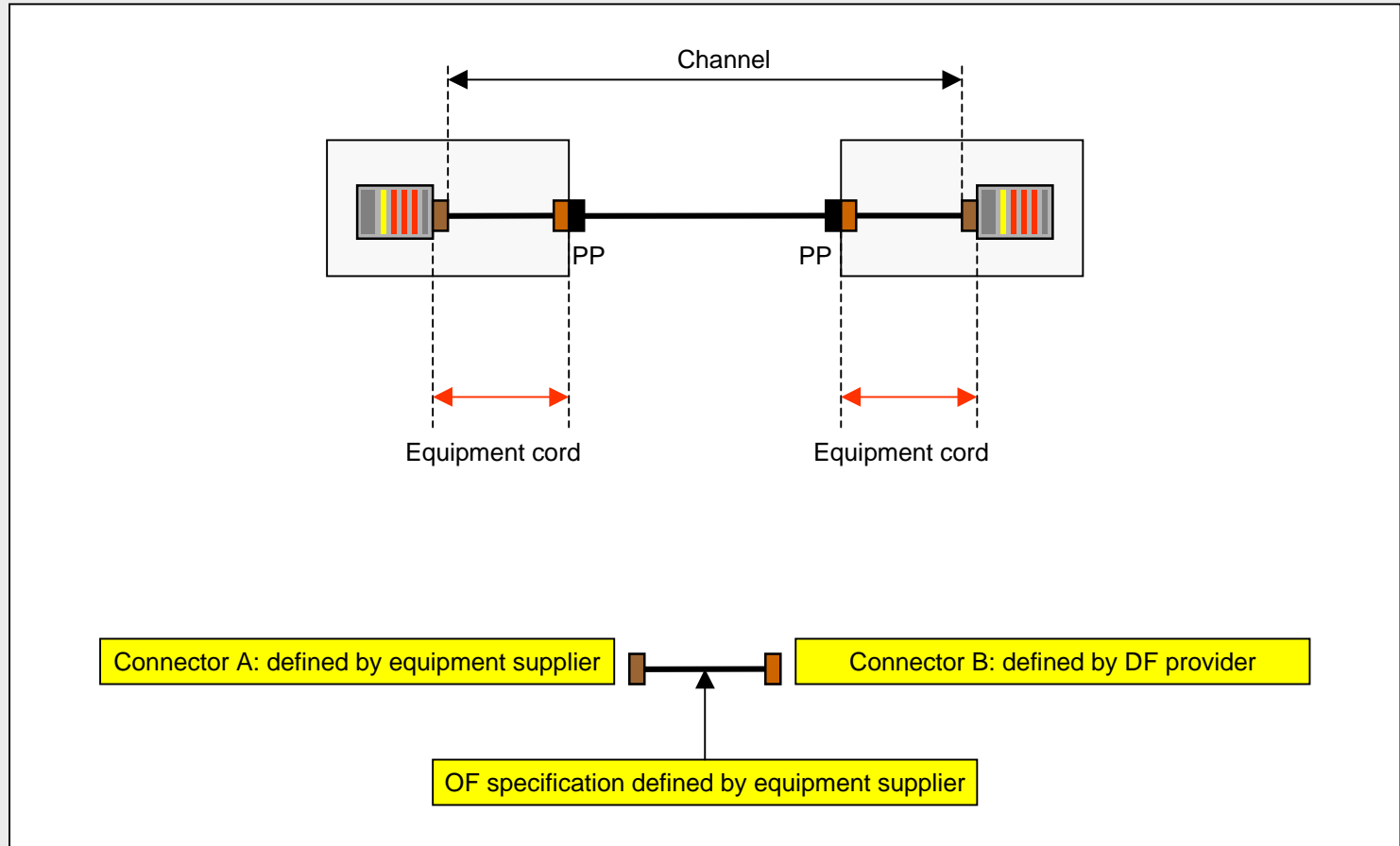
Permanent Link Specification



AGENDA

- Introduction
- Dark Fibre
- Permanent Link Specification
- Channel Specification
- Data Records
- Close

Channel Specification



AGENDA

- Introduction
- Dark Fibre
- Permanent Link Specification
- Channel Specification
- Data Records
- Close

Data Records

