

# AS ONE DOOR CLOSES

## A view of our IT future

Mike Gilmore

Senior Partner, The Cabling Partnership  
Senior Partner, e-Ready Building  
Chairman, BSI TCT7/-/1, Convenor CLC TC215 WG1  
Technical Director, Fibreoptic Industry Association

# Mike Gilmore

## UNITED KINGDOM

- Fibreoptic Industry Association, Technical Director
- BSI, Chairman, TCT7/-/1: IT Cabling

PD1001: "EMC and Structured Cabling"  
BS 7718: CoP "Installation of Fibre Optic Cabling"

## EUROPEAN

- CENELEC, Convenor, TC215 WG1: IT Cabling

EN 50098-1: "ISDN Basic Access"  
EN 50098-2: "ISDN Primary Rate"  
EN 50173: "Generic - Design"  
EN 50174-1: "Installation: Specification & Quality Assurance"  
EN 50346: "Testing of Installed Cabling"

## INTERNATIONAL

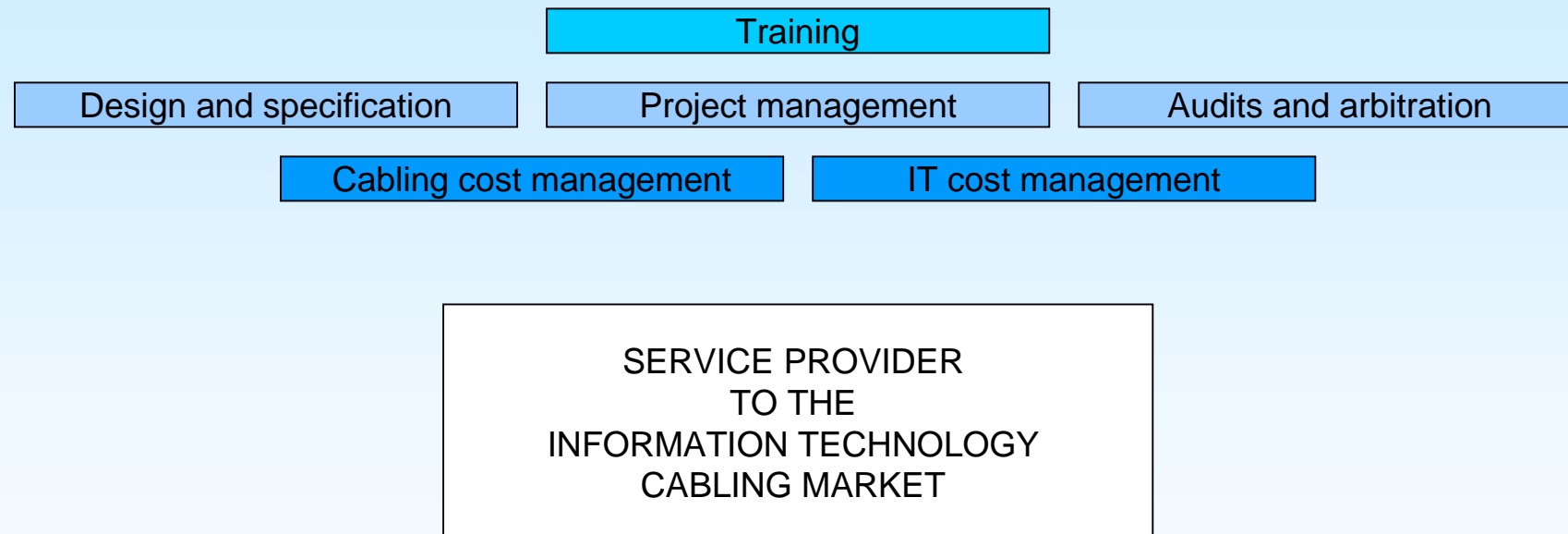
- ISO/IEC, Meeting Secretary, JTC1 SC25 WG3: Generic Cabling

ISO/IEC 11801: "Generic - Design"  
ISO/IEC 14763-1: "Administration"  
ISO/IEC TR14763-2: "Planning and Installation"  
ISO/IEC TR14763-3: "Testing Optical Cabling"  
IEC 61935-1: "Testing Copper Cabling" via IEC SC46A WG2

- ISO/IEC, Member, JTC1 SC25 WG3: Generic Cabling

ISO/IEC 15018: "SOHO Cabling - Design"

# The Cabling Partnership



[www.it-cabling.com](http://www.it-cabling.com)

# e-Ready Building

Pre-installed cabling infrastructure

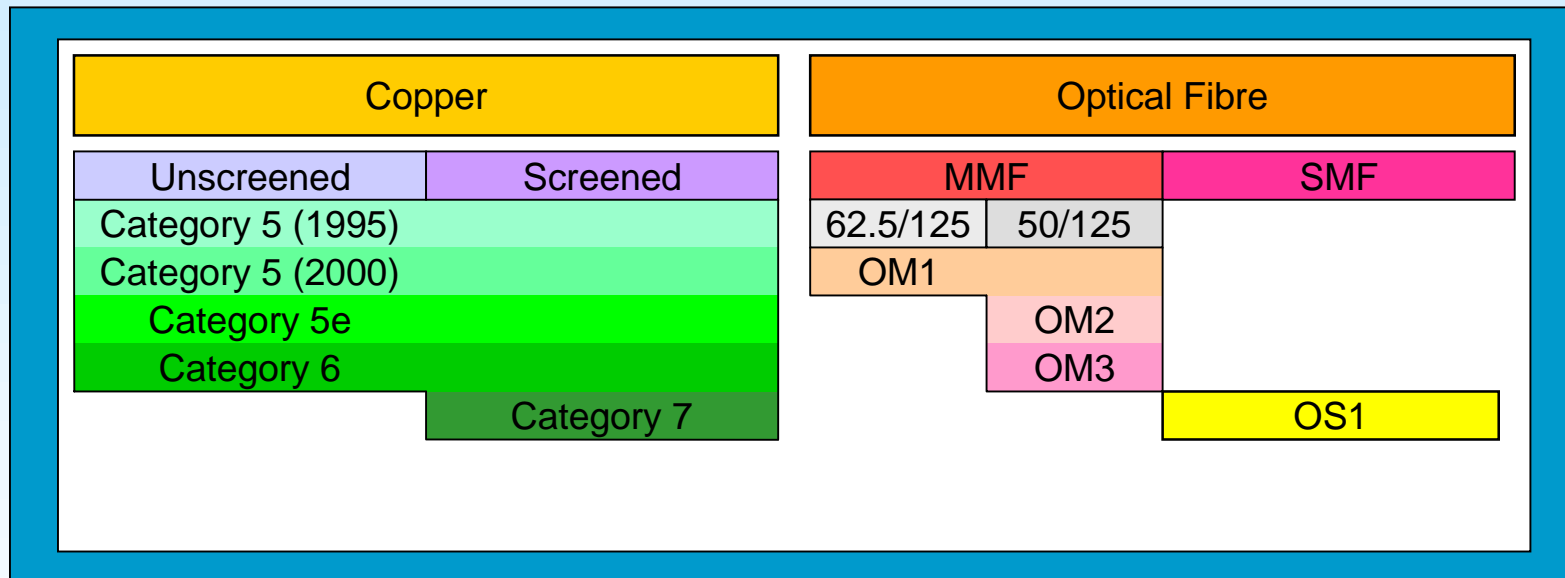
A centrally-managed IT function

High-bandwidth external connections

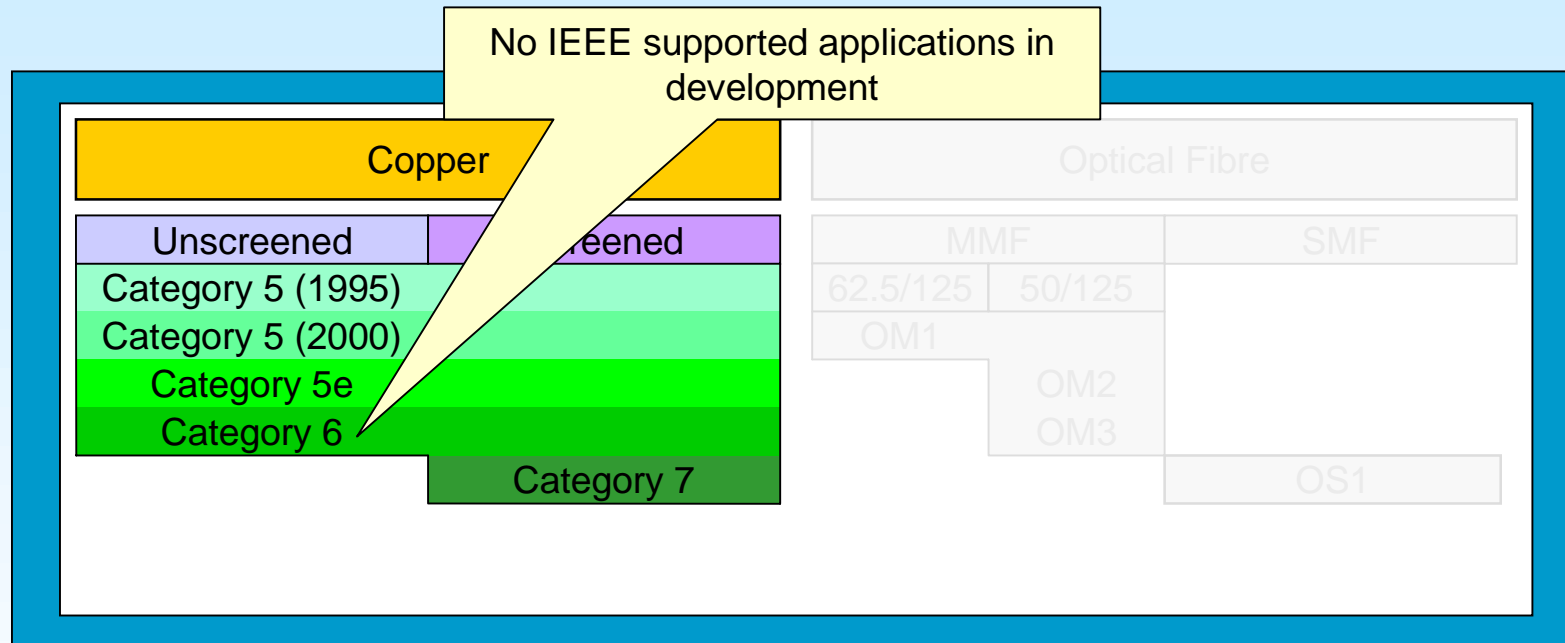
e-readybuilding.com  
RESOURCE  
FOR  
TENANTS AND PROPERTY DEVELOPERS

[www.e-readybuilding.com](http://www.e-readybuilding.com)

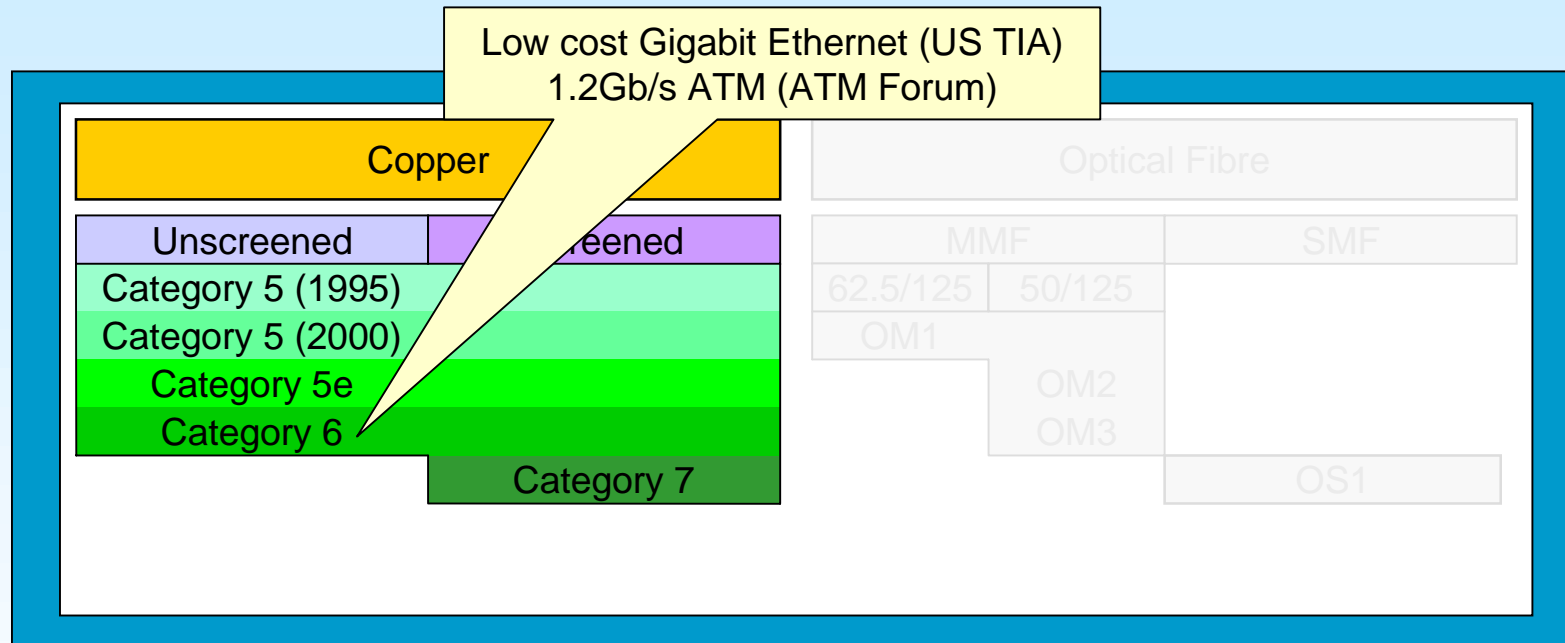
# Infrastructure Options



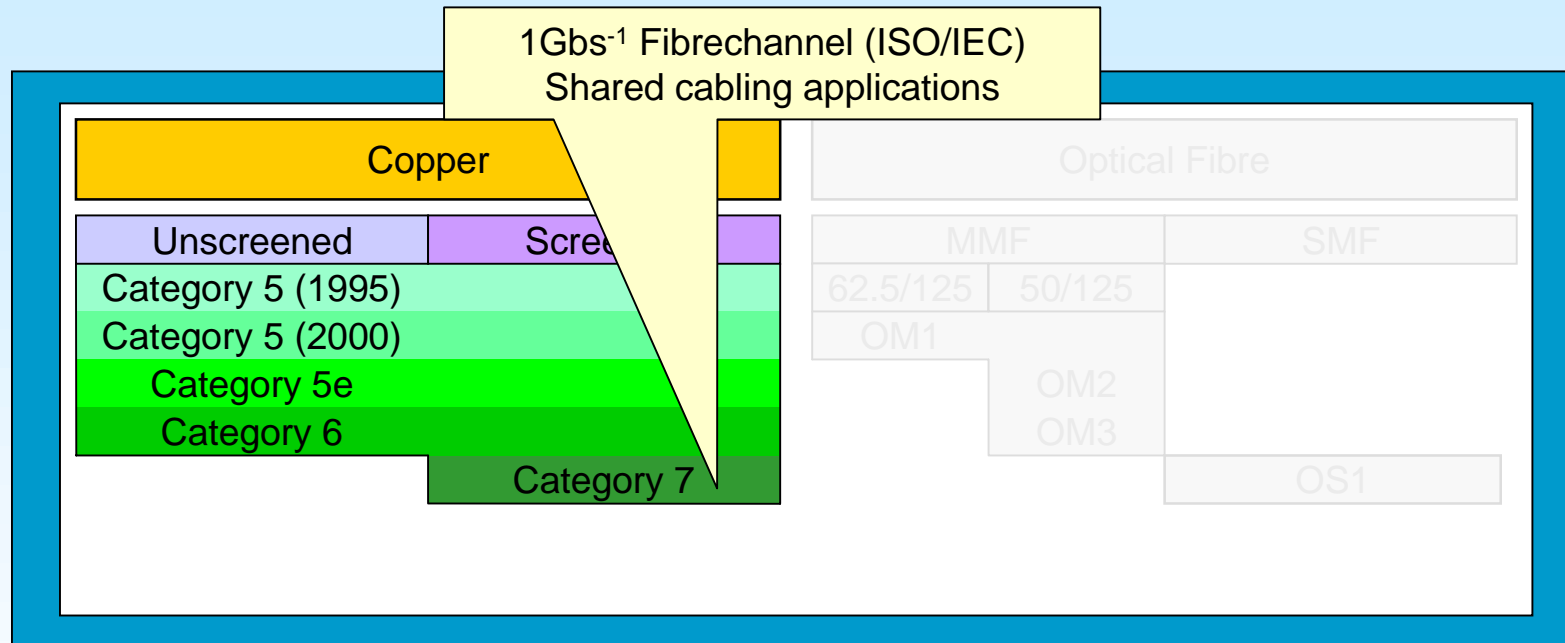
# Application Development



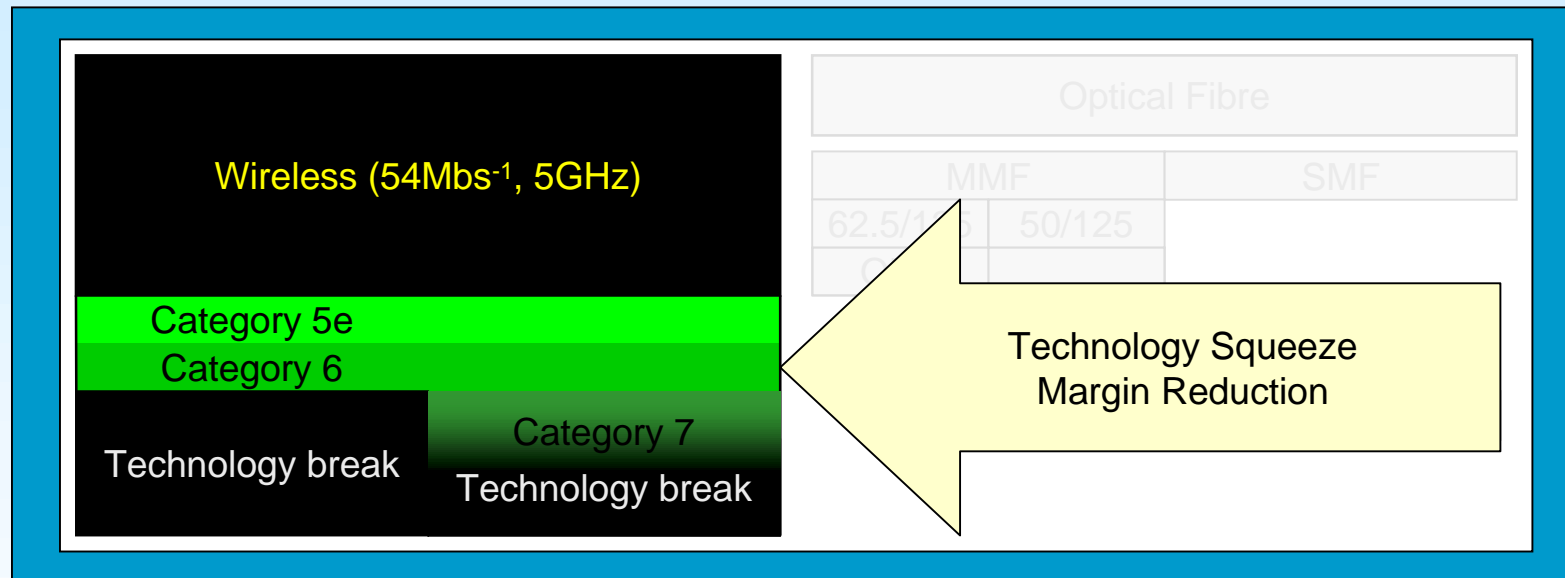
# Application Development



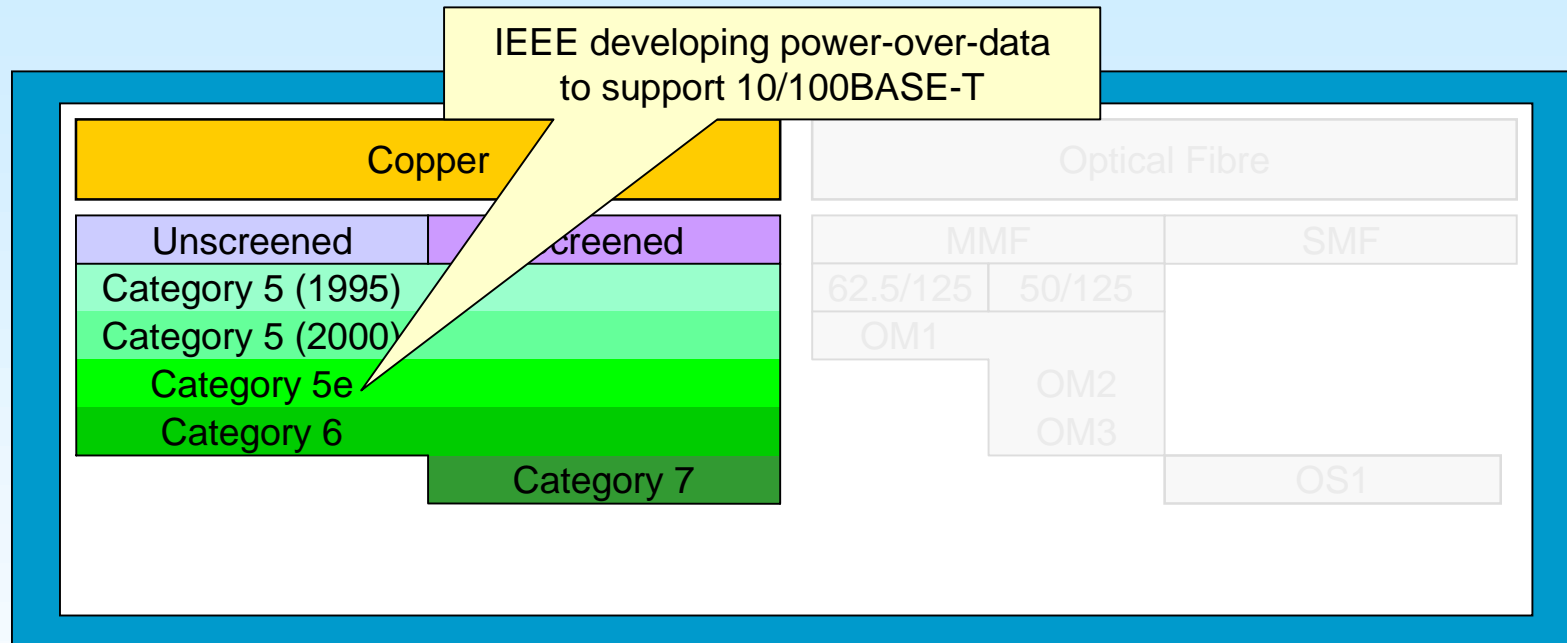
# Application Development



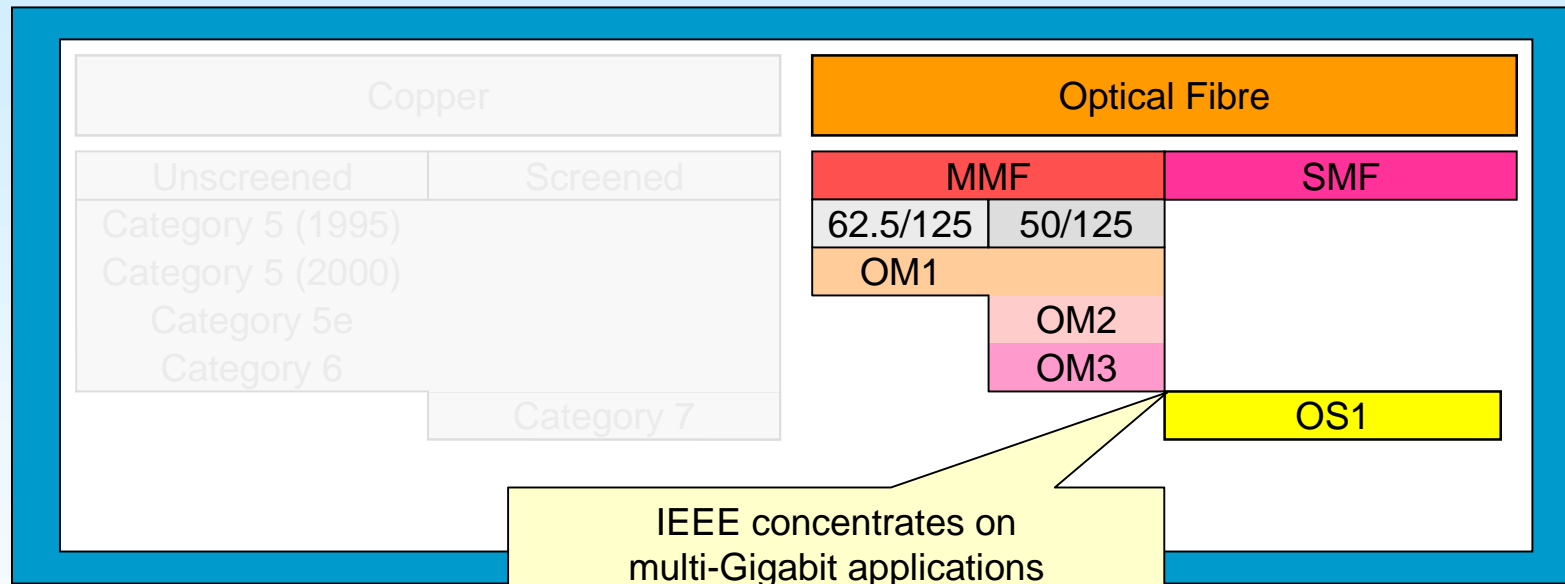
# The Technology Squeeze



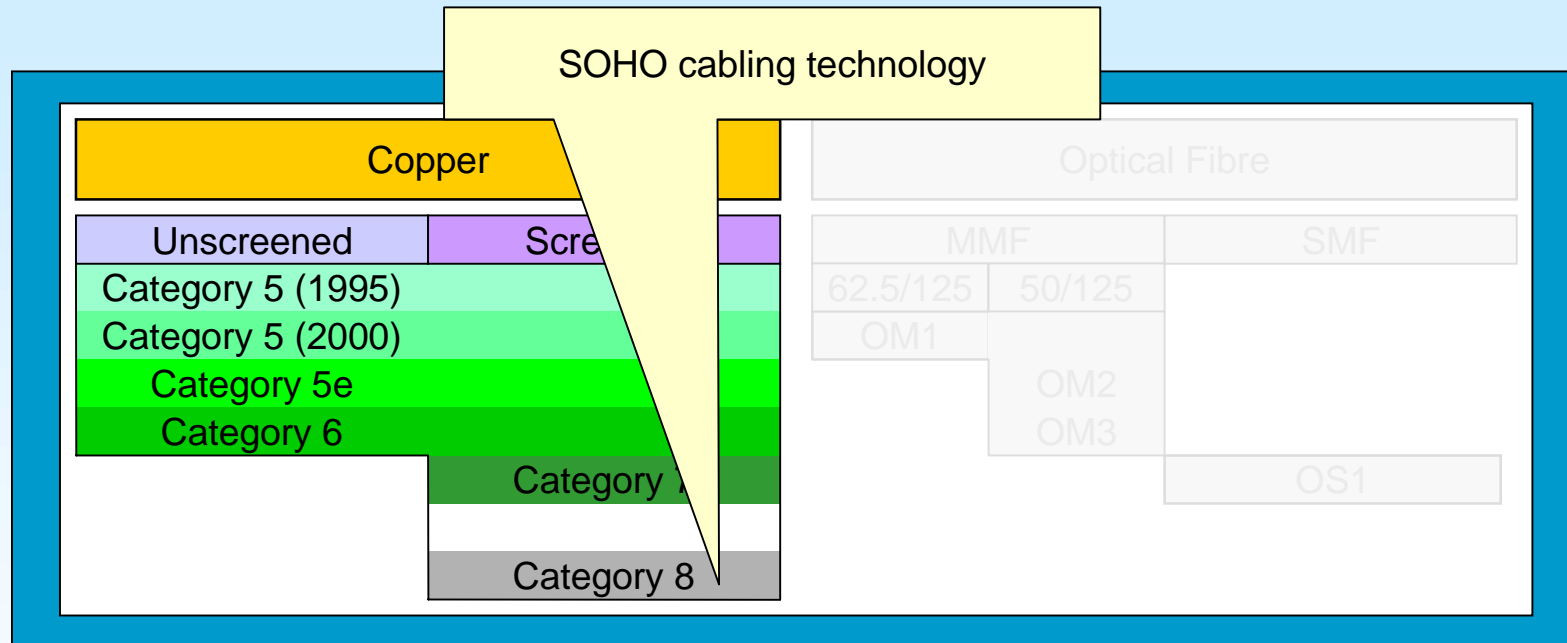
# IEEE Activity - Copper



# IEEE Activity - Optical Fibre



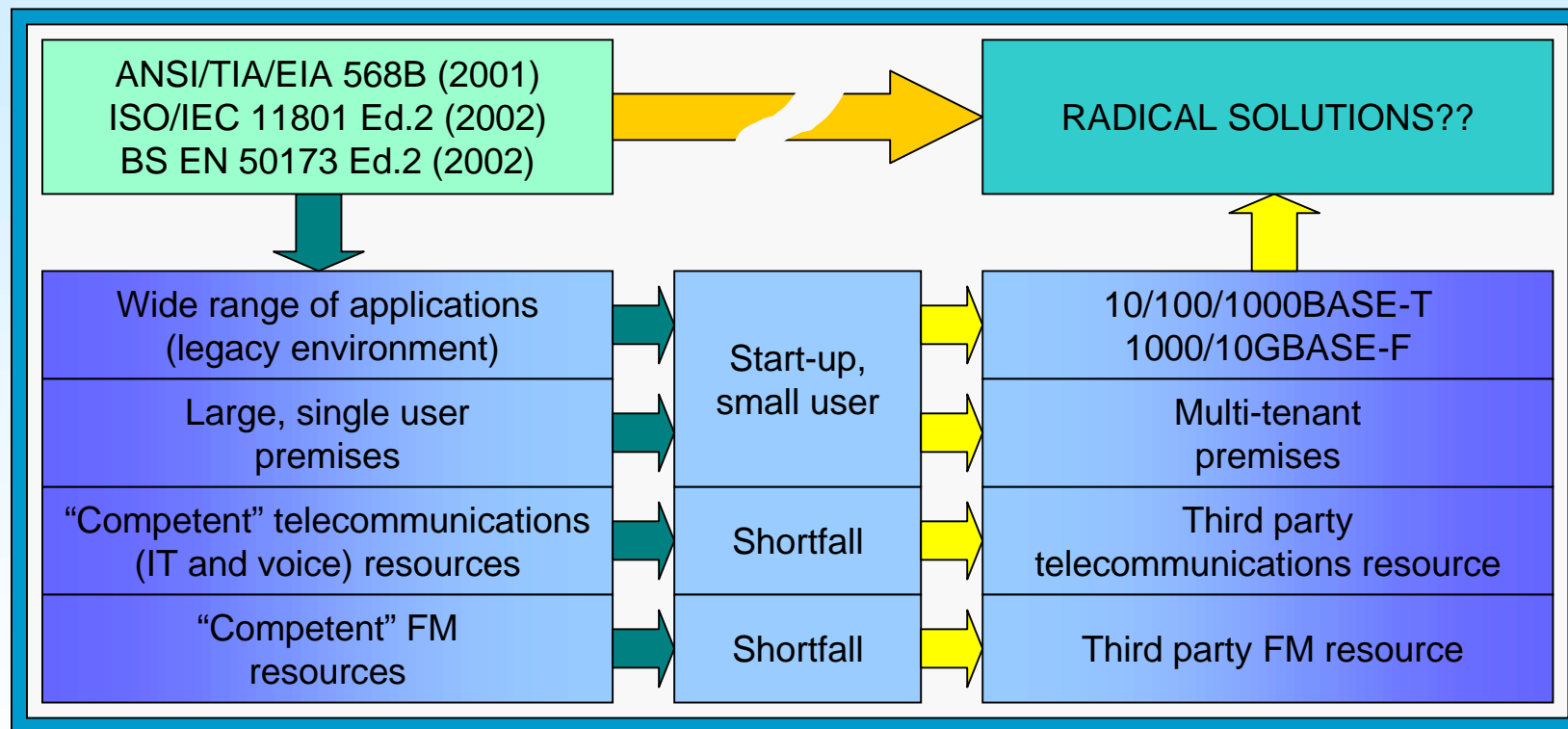
# Category 8 - A Sideshow



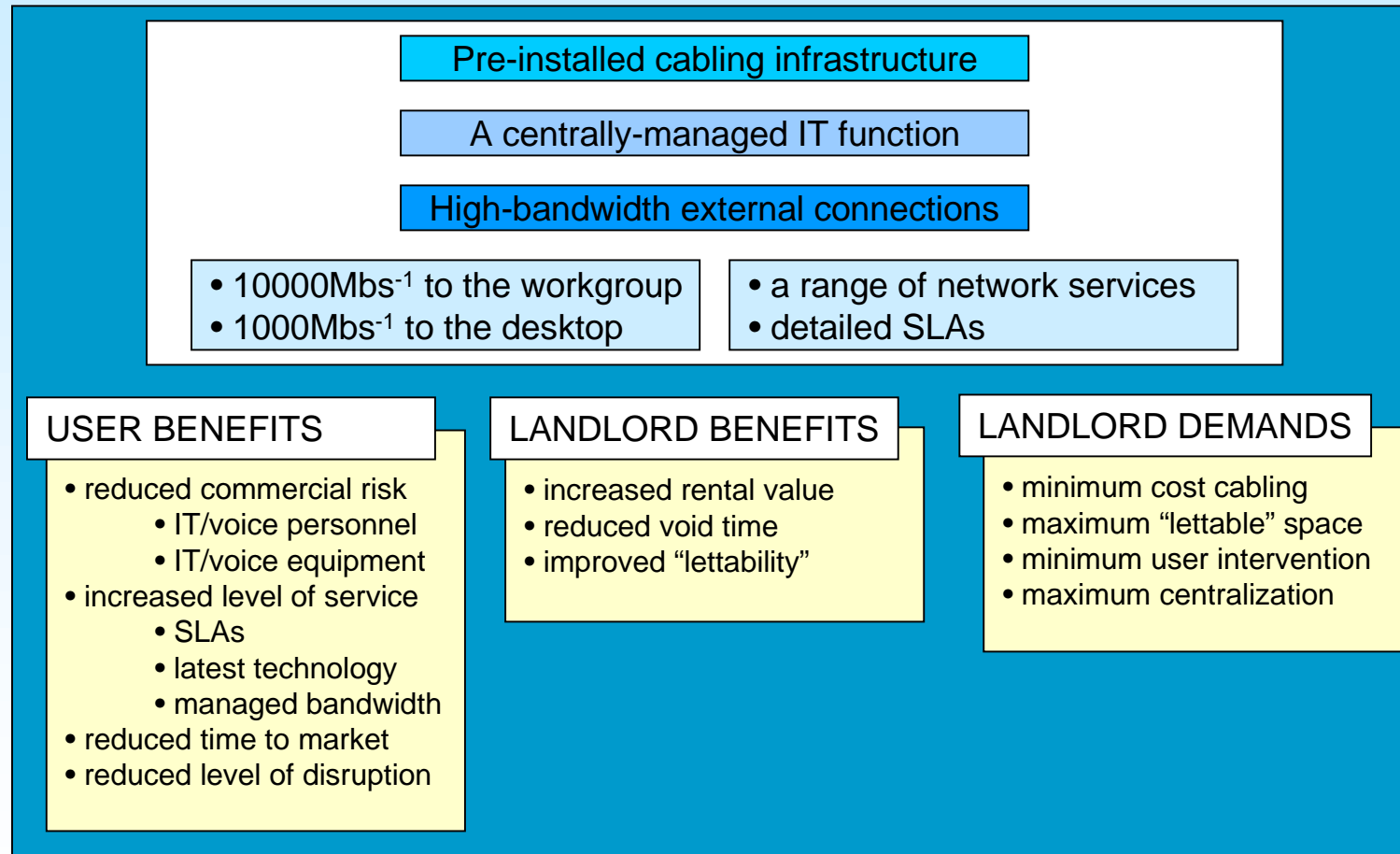
# IT Futureworld

TREND	IMPACT	AFFECTING
IT cabling: a commodity	Low margin business	Suppliers - Installers
Applications: strategies defined	Fewer design choices	Consultants
<i>Competent</i> IT resource: shortfall	Cost of solutions provision	Users
<i>Competent</i> FM resource: shortfall	Cost of service provision	Users

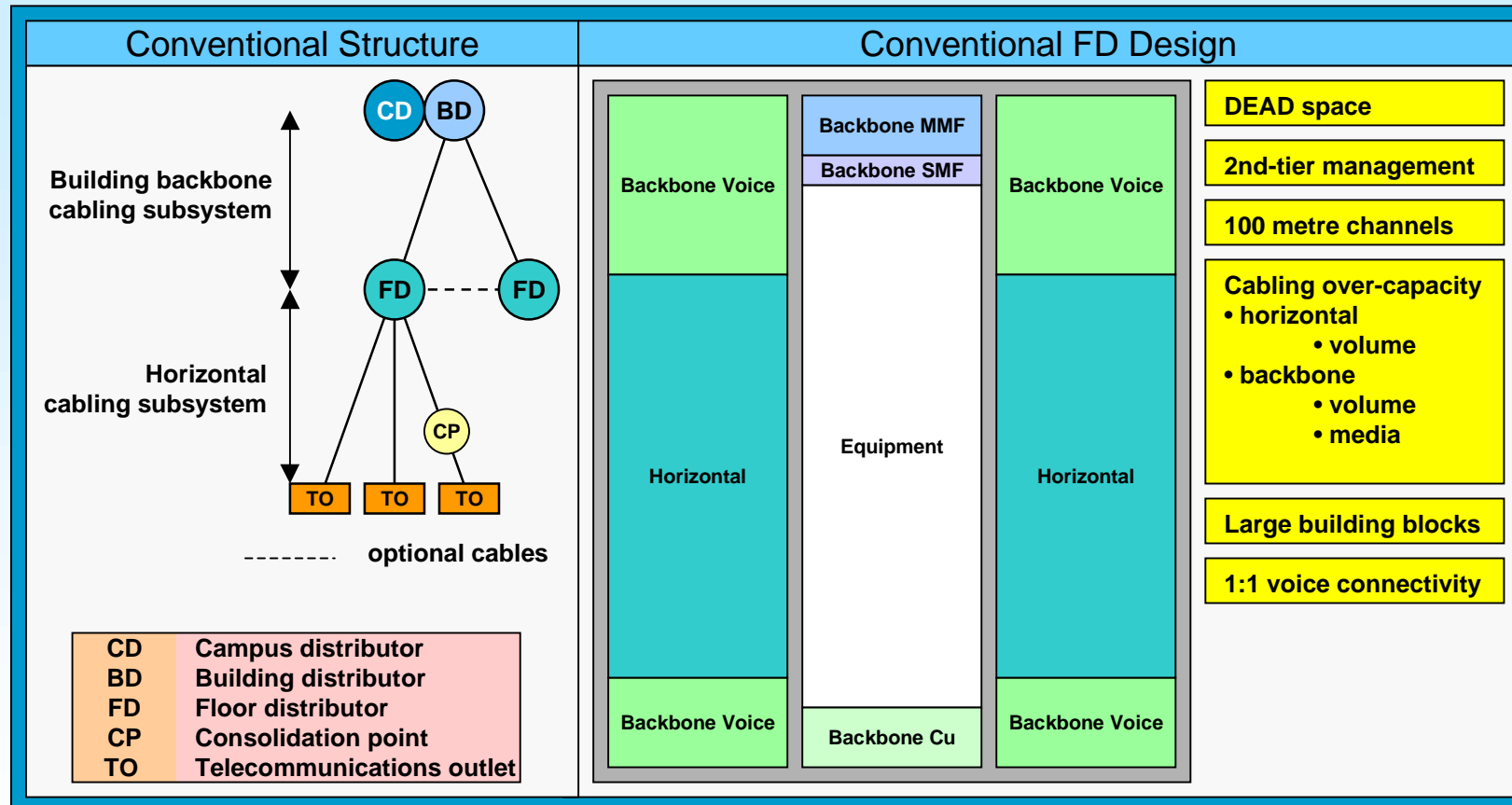
# Changing Environments



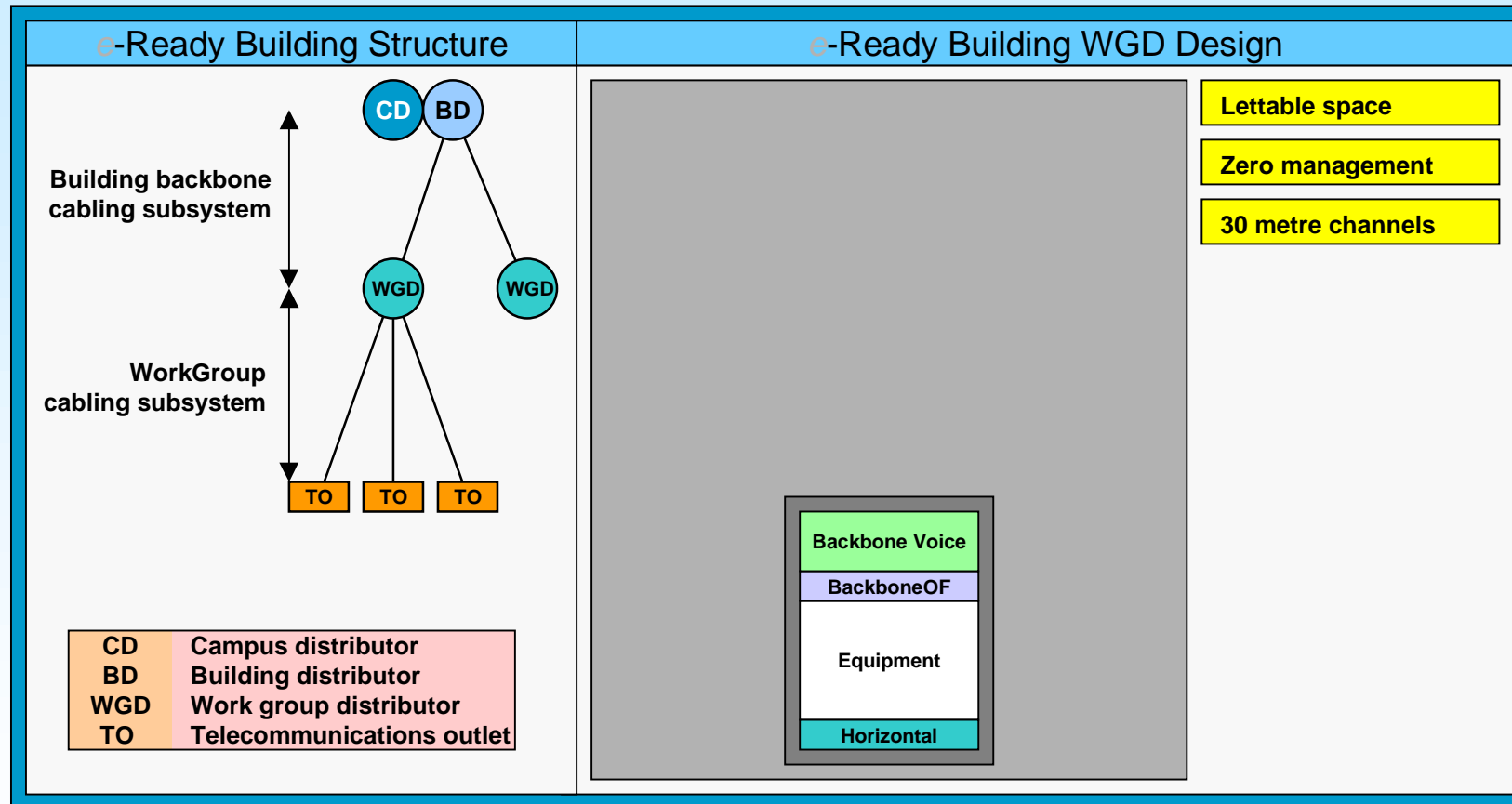
# e-Ready Building



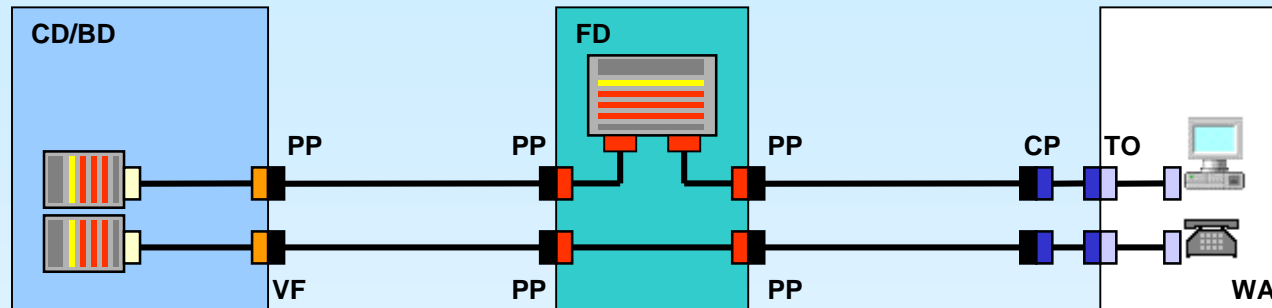
# Conventional Structured Cabling



# e-Ready Structured Cabling

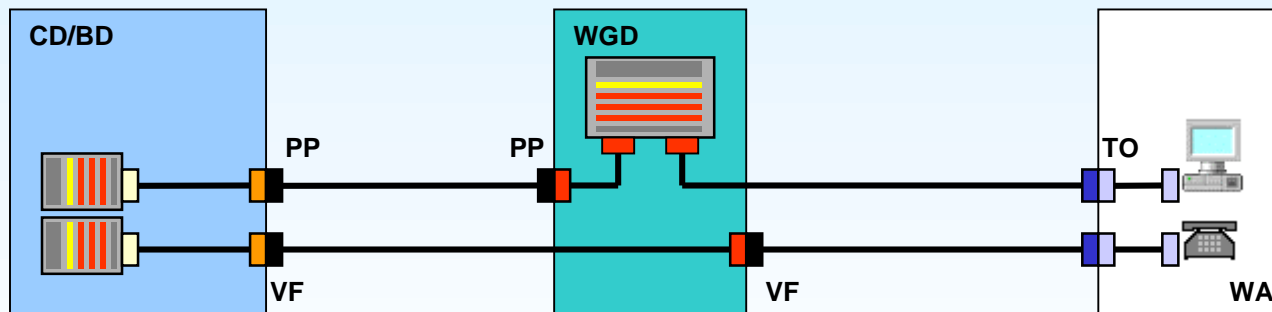
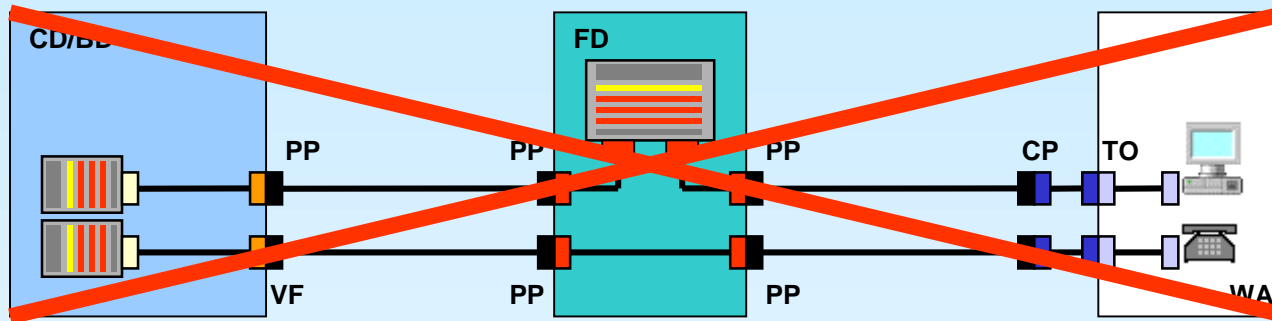


# Conventional Cabling Channels



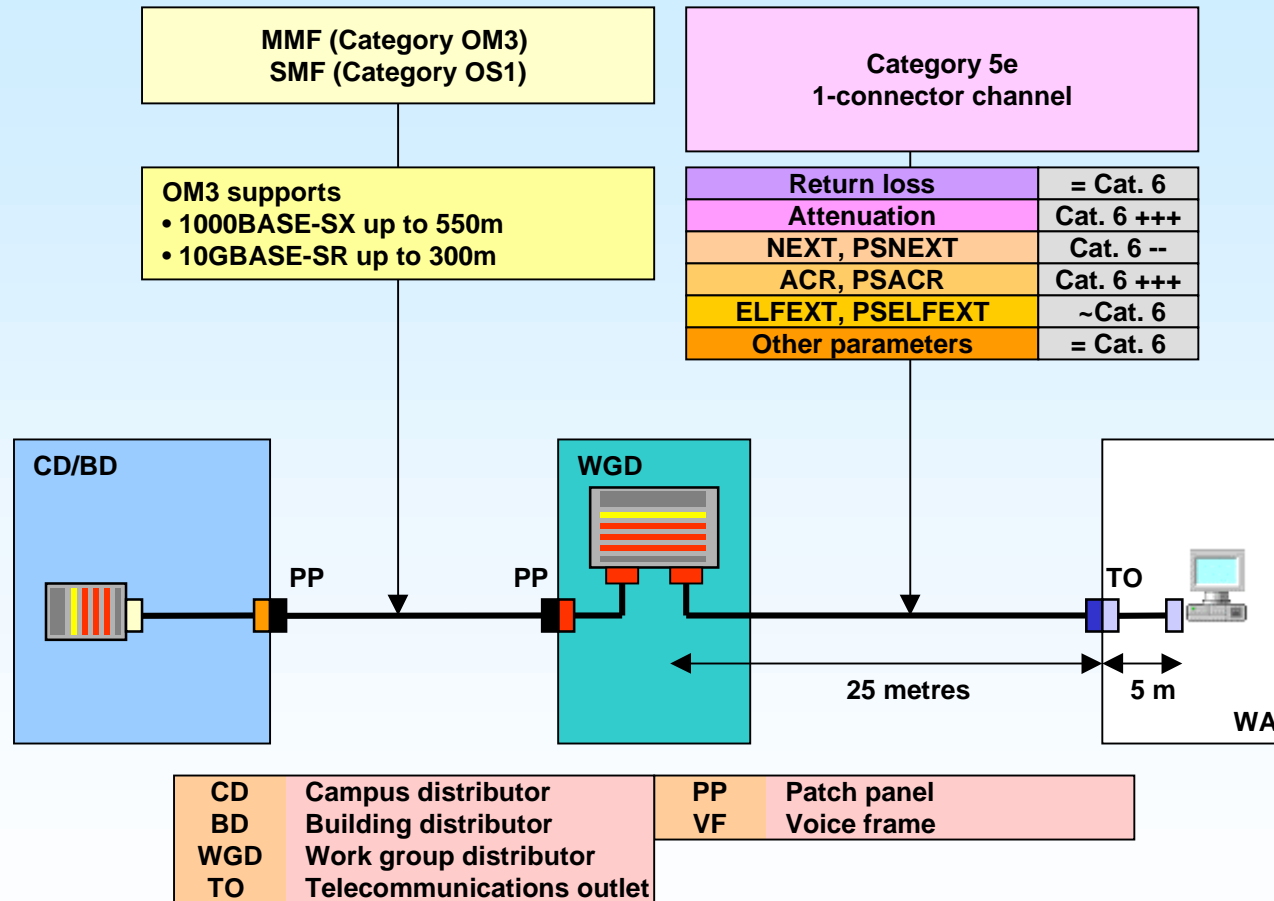
CD	Campus distributor	PP	Patch panel
BD	Building distributor	VF	Voice frame
FD	Floor distributor		
WGD	Work group distributor		
CP	Consolidation point		
TO	Telecommunications outlet		

# e-Ready Cabling Channels

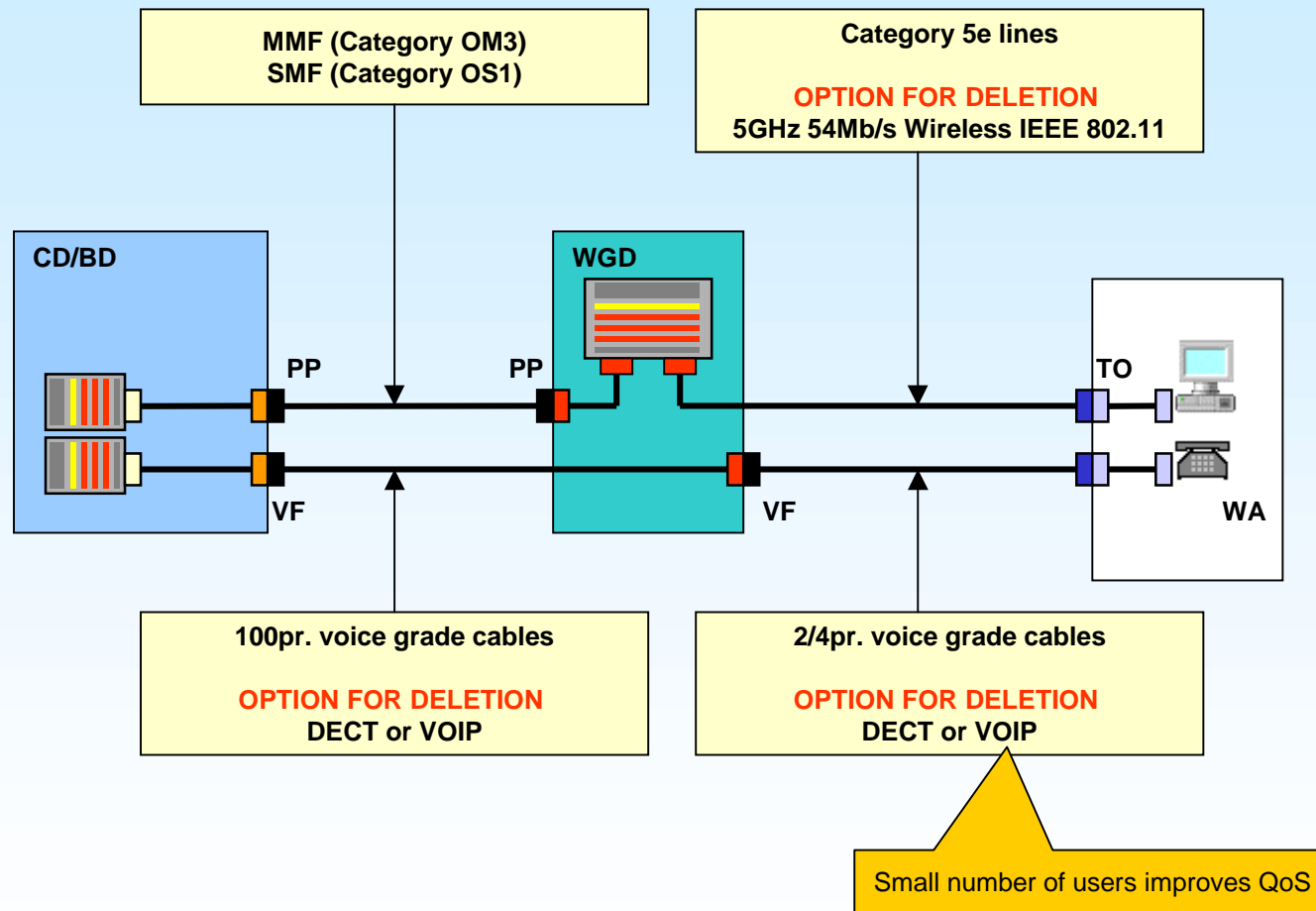


CD	Campus distributor	PP	Patch panel
BD	Building distributor	VF	Voice frame
FD	Floor distributor		
WGD	Work group distributor		
CP	Consolidation point		
TO	Telecommunications outlet		

# e-Ready Data Channels



# e-Ready Building Evolution



[www.e-readybuilding.com](http://www.e-readybuilding.com)

RESOURCE  
FOR  
TENANTS AND PROPERTY DEVELOPERS

[www.it-cabling.com](http://www.it-cabling.com)

SERVICE PROVIDER  
TO THE  
INFORMATION TECHNOLOGY  
CABLING MARKET