



6 CECs - RCDD  
6 CECs - Installer



## BS 6701:2004

“Telecommunications equipment and telecommunications cabling  
- Specification for installation, operation and maintenance”

### THE “ONE-STOP-SHOP” INSTALLATION STANDARD

A 1-day intensive course with optional 12-month service pack

#### OBJECTIVE

...to explain the separate and joint responsibilities of installers and premises owners under the requirements of the new BS 6701 specification...

#### BACKGROUND

The process of planning and undertaking the installation of telecommunications cabling has been, until recently, subject to no true standardisation. A variety of Codes of Practice (such as BS 6701:1994 and BS 7718:1996) and the more recent BS EN 50174 series of European norms have been applicable but only if demanded by tenders and other contract documentation. Furthermore, the linkage between these documents has been either tenuous or non-existent requiring multiple references to be made.

BS 6701:2004 changes all this - it brings the all the foregoing recommendations and requirements into sharp relief.

The new BS 6701 is a true specification - containing verifiable requirements which are, in effect, mandatory. BS 6701 also demands conformance to the BS EN 50174 series, extending their requirements to all types of telecommunications cabling and also to the equipment it connects.

Responsibilities under BS 6701:2004 are separated into those that apply to the installer, those that apply to the owner of the premises within which the telecommunications cabling is installed (the user) and those that apply to both. The specification has been written in the best interests of both parties - it is not “a stick with which to beat installers” nor is it a set of “get-outs with which to trick clients”.

This seminar explains the role that BS 6701 plays in contract documentation and details the tasks required of installer and clients when meeting its demands.

#### WHO SHOULD ATTEND?

Everyone specifying or selling installations of telecommunications cabling and equipment

**SCHEDULE  
FEBRUARY 2006**

#### BIRMINGHAM

Date: 21st February 2006  
Location: Holiday Inn Express, City Centre

In addition to the scheduled dates shown above, it is possible to arrange on-site training to suit specific company requirements. Costs for on-site training are shown below.

#### COSTS

Scheduled Courses	On-site Training (UK)	Service Packs
Sterling: £320.00 per person  Euro: €480 per person	Sterling: £1350 plus £50 per person  Euro: €1950 plus €75 per person	In addition to the training course, The Cabling Partnership offers a 12-month service pack agreement.  The service pack provides details of all changes relevant to the training received. This takes the form of an e-Newsletter together with copies of all applicable documentation.  Sterling: £75.00 per person Euro: €120 per person
	On-site Training (outside the UK)	
	Contact The Cabling Partnership for details	
The above costs include refreshments during the courses but exclude accommodation.		

The above costs are subject to VAT where applicable.

....how to book? .... Go to page 3



## BS 6701:2004

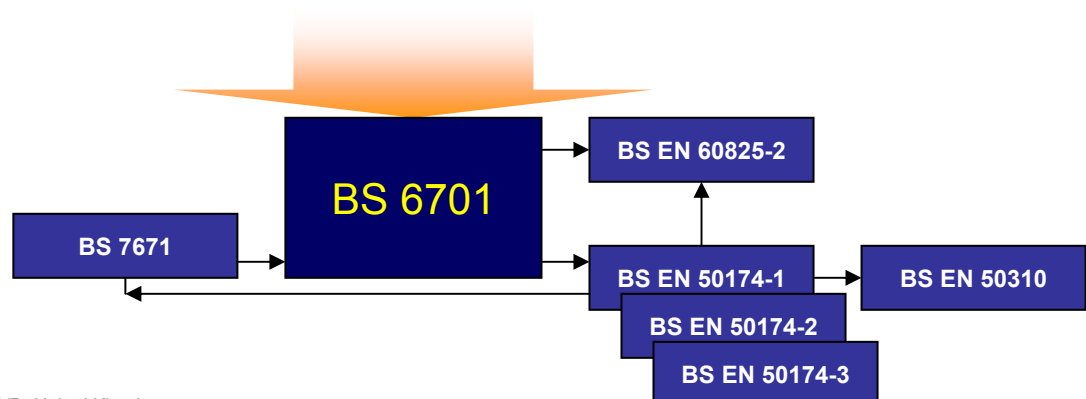
“Telecommunications equipment and telecommunications cabling  
- Specification for installation, operation and maintenance”

### THE “ONE-STOP-SHOP” INSTALLATION STANDARD

A 1-day intensive course with optional 12-month service pack

#### AGENDA

Time	Topic	Time	Topic
0930 hrs	<b>Introduction</b> The World of Installation - “Standards” 2003  The New World - 2004 • BS 6701: the new baseline • existing “hidden” legislation • the demise of BS 7718 • electrical safety • optical fibre safety	1330 hrs	<b>Pathways and Spaces</b>  Pathway design Pathway installation Cable/circuit segregation from mains power cabling Cabinet/frame/rack layout Building entrance facilities
1030 hrs	<b>Verifiable Requirements</b>  Demand and supply Assessing and/or proving conformance	1430 hrs	<b>Cabling</b>  Earthing (functional and protective) Installation practice External cabling
1045 hrs	<b>Break</b>	1445 hrs	<b>Operation and Maintenance</b>  The responsibilities of users
1100 hrs	<b>Conformance to BS EN 50174-X</b>  Real “shalls”, optional “shalls” and “shoulds” BS 6701 BIP	1530 hrs	<b>Break</b>
1115 hrs	<b>Planning - Administration and Documentation</b>  Do users meet the requirements of BS 6701? How do installers meet their responsibilities?  The User Guide • a means of performance management • Electricity at Work Regulations 1989	1545 hrs	<b>Checklists and Templates</b>  Specification and QA Checklists • installers • users  Method/Process Statement Templates
1200 hrs	<b>Products, Power and Processes</b>  Component selection Installation techniques and performance impacts	1630 hrs	<b>Support Services</b>  BSI BIPs and PDs FIA Technical Support Documents e-Tools
1230 hrs	<b>Lunch</b>	1645 hrs	<b>Future Changes</b>  The future of the EN 50174 series
1700 hrs	<b>Close</b>		



**BS 6701:2004**

“Telecommunications equipment and telecommunications cabling  
- Specification for installation, operation and maintenance”

**THE “ONE-STOP-SHOP” INSTALLATION STANDARD**

**A 1-day intensive course with optional 12-month service pack**

**COSTS**

Scheduled Courses	On-site Training (UK)	Service Packs
Sterling: £320.00 per person  Euro: €480 per person	Sterling: £1350 plus £50 per person  Euro: €1950 plus €75 per person	In addition to the training course, The Cabling Partnership offers a 12-month service pack agreement.  The service pack provides details of all changes relevant to the training received. This takes the form of an e-Newsletter together with copies of all applicable documentation.  Sterling: £75.00 per person Euro: €120 per person
	On-site Training (outside the UK)	
Contact The Cabling Partnership for details		

The above costs include refreshments during the seminars but exclude accommodation.

The above costs are subject to VAT where applicable.

**You can reserve places on the courses listed below in the following ways:**

- by faxing this page, complete with your requirements and contact details to **+44 (0) 113 293 2632**
- by telephone: **+44 (0) 113 232 3721**
- by e-mailing your requirements to **The Cabling Partnership**
  - automatically, by clicking on this hyperlink
  - manually, to [mike.gilmore@btinternet.com](mailto:mike.gilmore@btinternet.com)

**RESERVATION FORM**

<b>BIRMINGHAM</b>	Date: 21st February 2006 Location: Holiday Inn Express, City Centre	No. of places required		
		Service Pack required	YES	NO

**MY DETAILS**

<b>COMPANY NAME</b>			
<b>COMPANY ADDRESS</b>			
	<b>CITY</b>		<b>POST/ZIPCODE</b>
<b>TELEPHONE</b>			
<b>FAX</b>			
<b>RESERVATION MADE BY</b>			
<b>e-MAIL ADDRESS</b>			
<b>SIGNED</b>			
<b>DATED</b>			